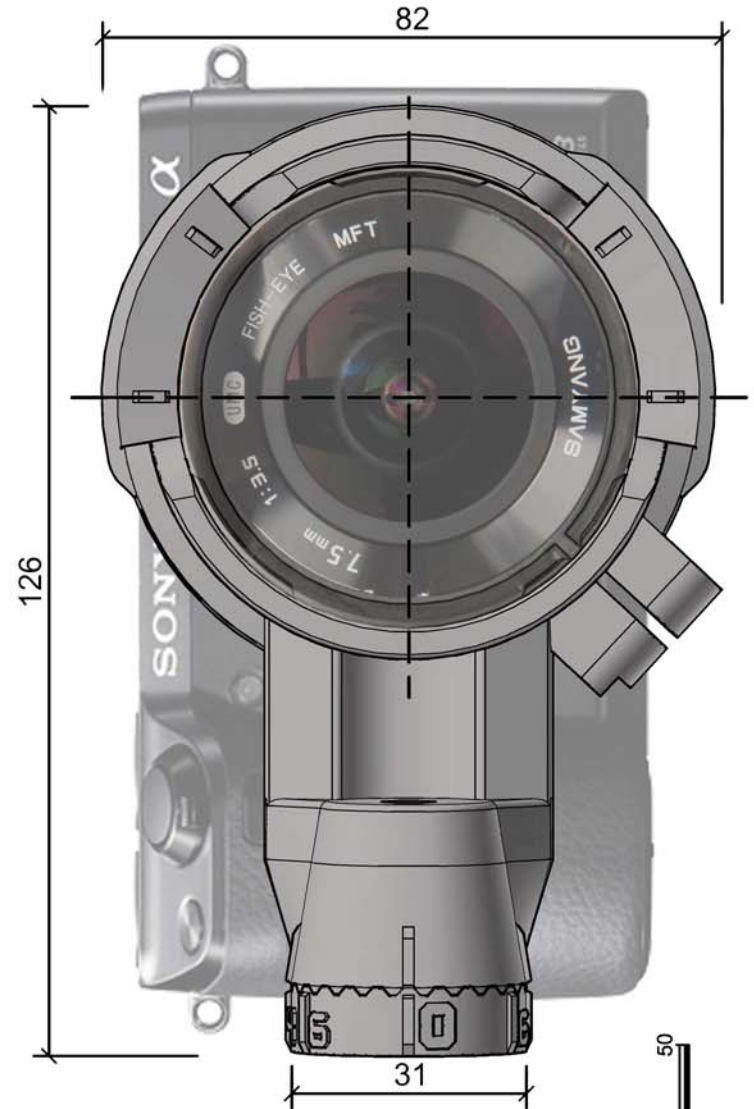
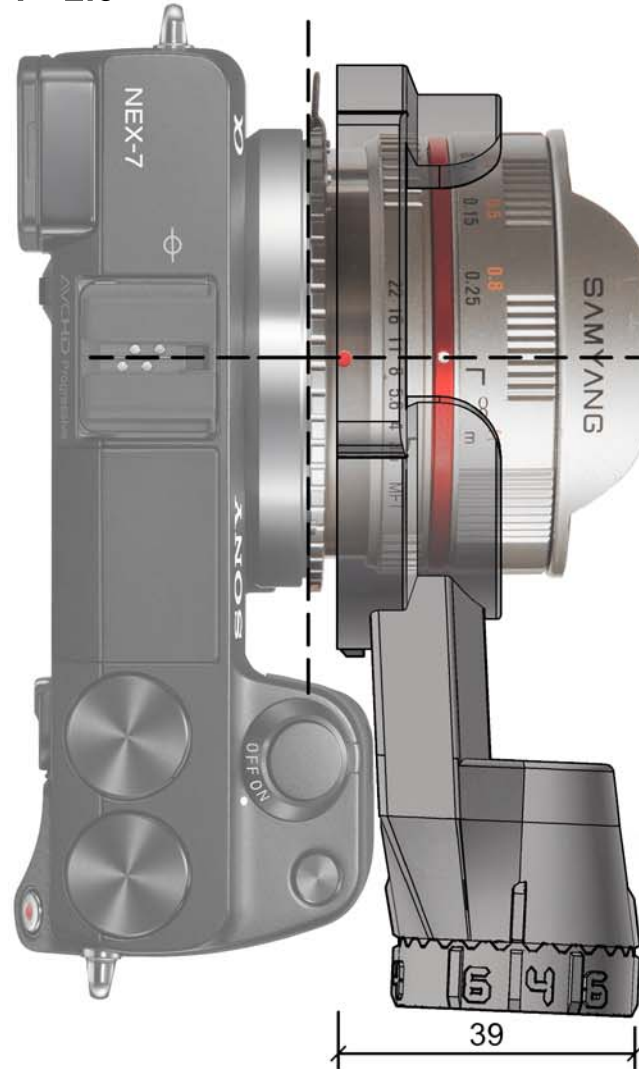
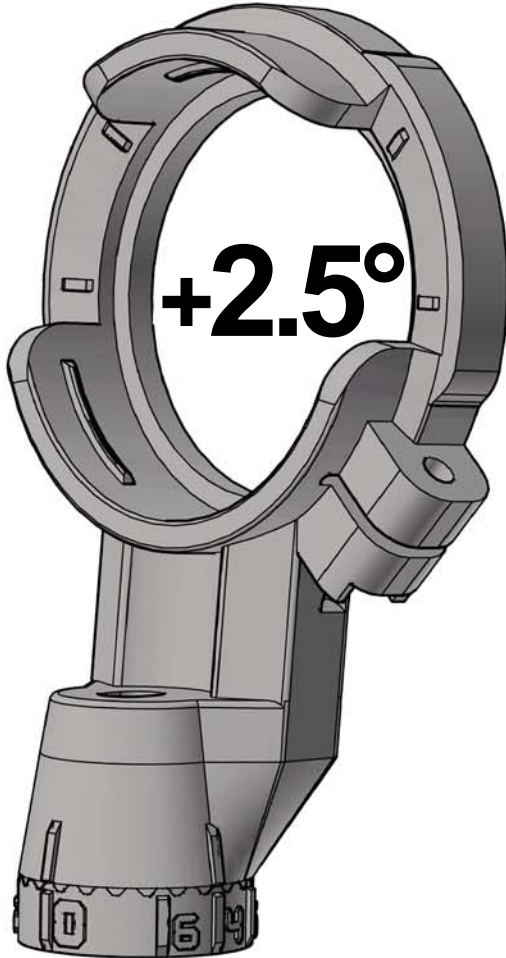


# Nomad Panohead Samyang 7.5mm MFT +2.5°

Scale image 1:1 on screen, or print PDF A4 full scale



## Specifications Material: PA2200 (Nylon)

Tilt	+5°	+2.5°	+0°	-4° Pole	-9° Pole
Height	126 (4.96")	126 (4.96")	125 (4.92")	172 (6.77")	172 (6.77")
Width	82 (3.23")	82 (3.23")	82 (3.23")	82 (3.23")	82 (3.23")
Depth	36 (1.42")	39 (1.54")	43 (1.69")	52 (2.05")	63 (2.48")
Base dia.	31 (1.22")	31 (1.22")	31 (1.22")	31 (1.22")	31 (1.22")
Weight	100g (3.5oz)	100g (3.5oz)	100g (3.5oz)	130g (4.6oz)	130g (4.6oz)
Footprint	9° radius	9° radius	9° radius	6° radius	6° radius
	NEX-3, c3, 5, 5n NEX-7 (grip up only, use +2.5°)	NEX-3, c3, 5, 5n, 7 4 around: Zenith captured Top 12.5° soft Nadir Bottom 17.5° soft	Oly. E-p1, p2, p3, pl1, pl2, pl3, pm1 Pan. GF-1, 2, 3 6 around at 37° roll: Zenith 2° hole Top 15° soft Nadir Bottom 15° soft	NEX-3, c3, 5, 5n, 7 4 around: Zenith captured Top 19° soft Nadir Bottom 11° soft	NEX-3, c3, 5, 5n, 7 4 around: Zenith 4° hole, Top 24° soft Nadir Bottom 6° soft
		Oly. E-p1, p2, p3, pl1, pl2, pl3, pm1 Pan. GF-1, 2, 3 6, 8 around at 37° roll: Nadir 18°, 7° hole		Oly. E-p1, p2, p3, pl1, pl2, pl3, pm1 Pan. GF-1, 2, 3 6, 8 around at 37° roll: Zenith 20°, 11° hole	Oly. E-p1, p2, p3, pl1, pl2, pl3, pm1 Pan. GF-1, 2, 3 6, 8 around at 37° roll: Zenith 29°, 22° hole

Samyang 7.5mm MFT lens is sharp 150° from center, then gradually soft.

Approximate weight includes fasteners. Footprint is approximate. Performance described is approximate and vary on settings and modifications. Fasteners are sold and shipped separately from panohead. You MUST purchase fasteners to operate the Nomad Panohead.



THOMASHUANG.NET