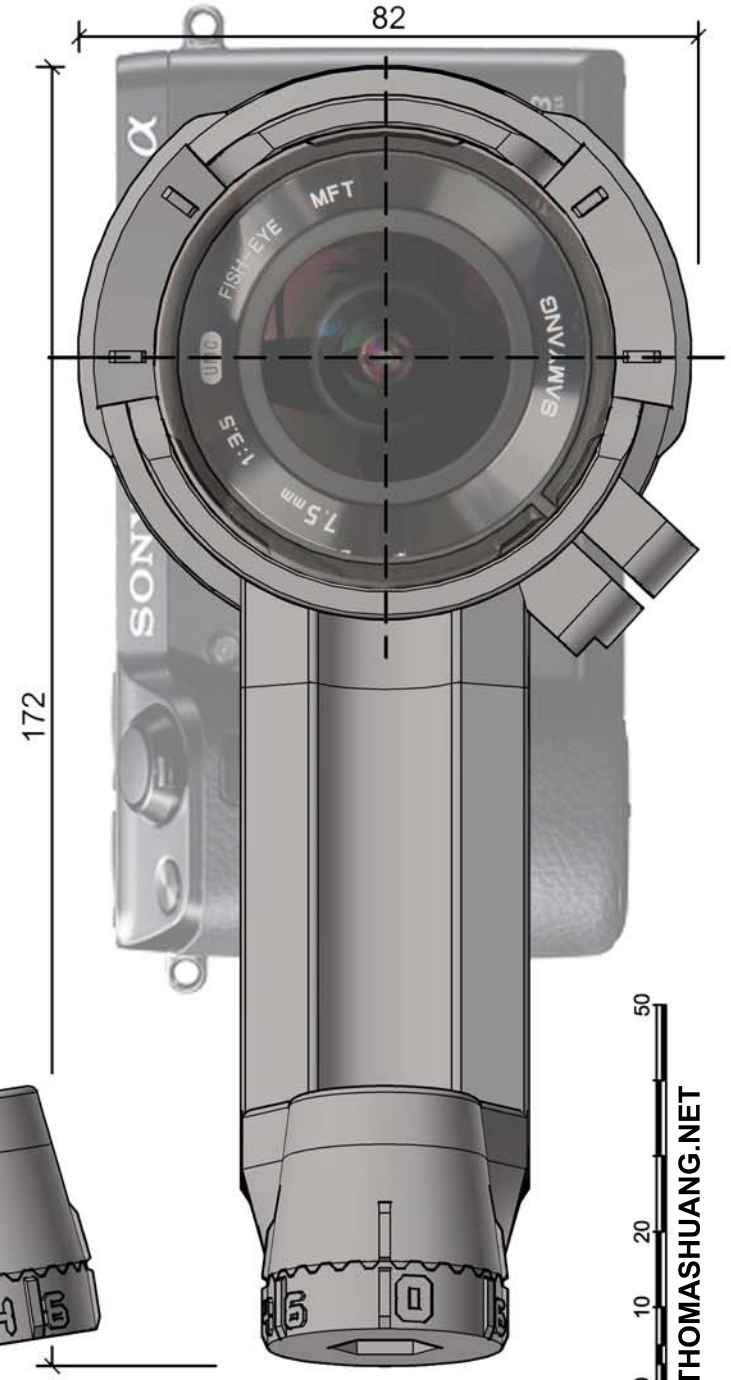
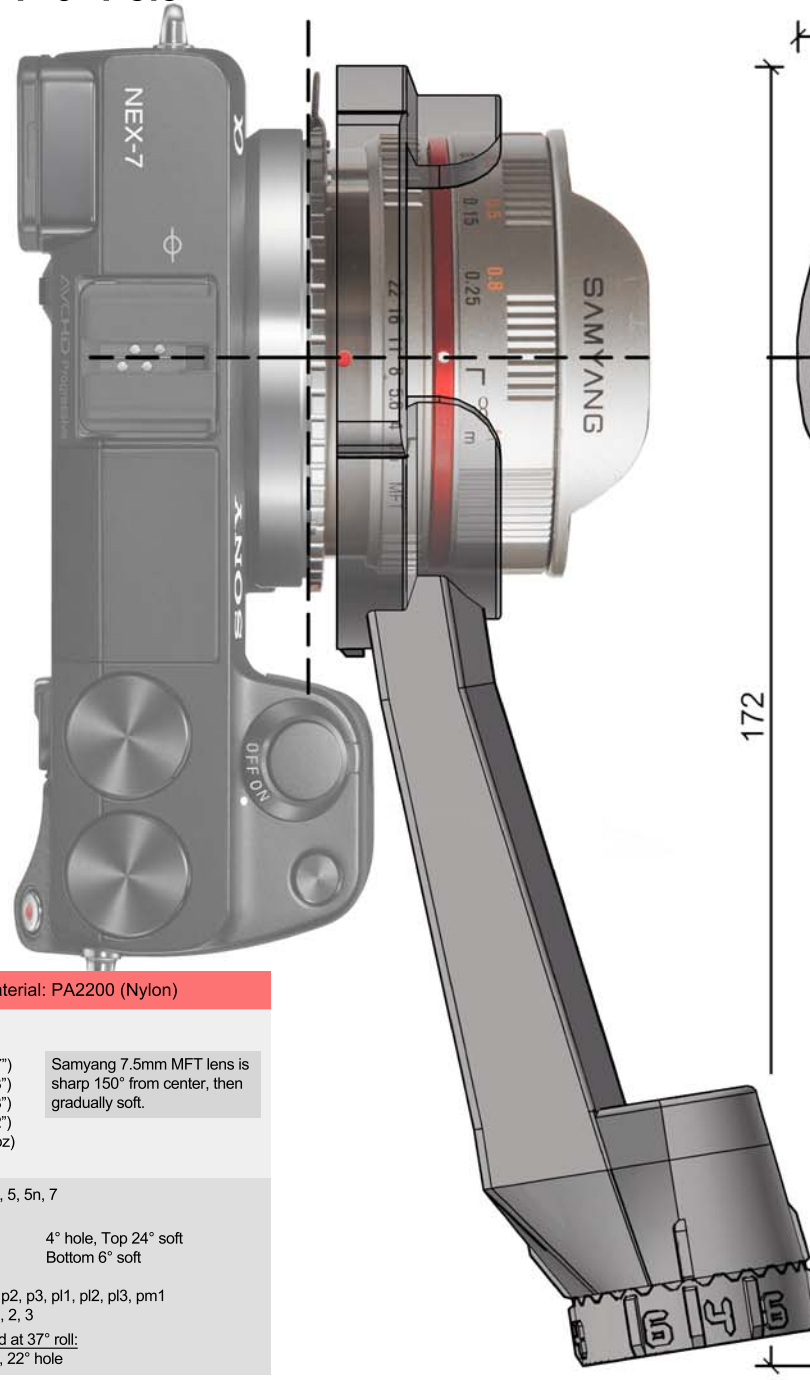
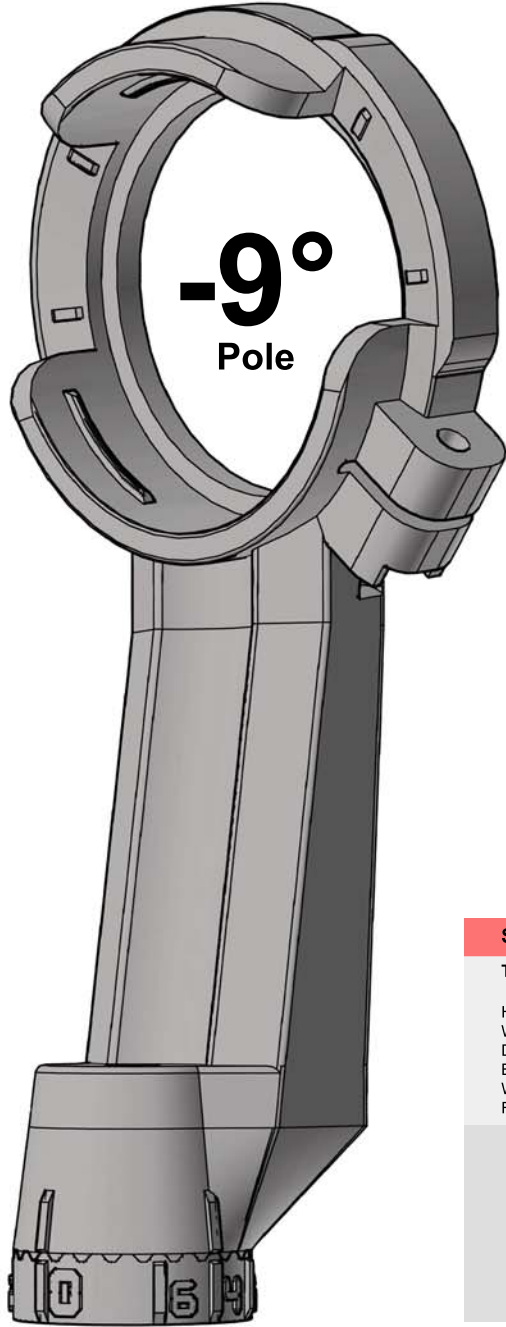


Nomad Panohead Samyang 7.5mm MFT -9° Pole

Scale image 1:1 on screen, or print PDF A4 full scale



Specifications		Material: PA2200 (Nylon)
Tilt	-9° Pole	
Height	172 (6.77")	Samyang 7.5mm MFT lens is sharp 150° from center, then gradually soft.
Width	82 (3.23")	
Depth	63 (2.48")	
Base dia.	31 (1.22")	
Weight	130g (4.6oz)	
Footprint	6° radius	
NEX-3, c3, 5, 5n, 7		
4 around:		
Zenith	4° hole, Top 24° soft	
Nadir	Bottom 6° soft	
Oly. E-p1, p2, p3, pl1, pl2, pl3, pm1		
Pan. GF-1, 2, 3		
6, 8 around at 37° roll:		
Zenith 29°, 22° hole		

Approximate weight includes fasteners. Footprint is approximate. Performance described is approximate and vary on settings and modifications. Fasteners are sold and shipped separately from panohead body. You MUST purchase fasteners to operate the Nomad Panohead.

